

- Double JNJ**
 - H Hall
 - 80 beds (40 rooms)
 - 10 units

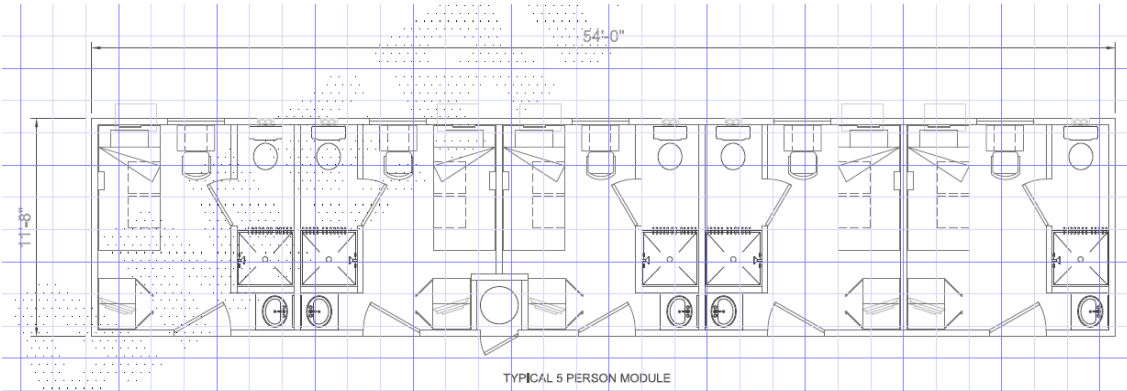
- Single JNJ**
 - A, B, C, E, F & G Halls
 - 216 beds
 - 38 units

- Single VIP**
 - D Hall
 - 40 beds (40 rooms)
 - 8 units

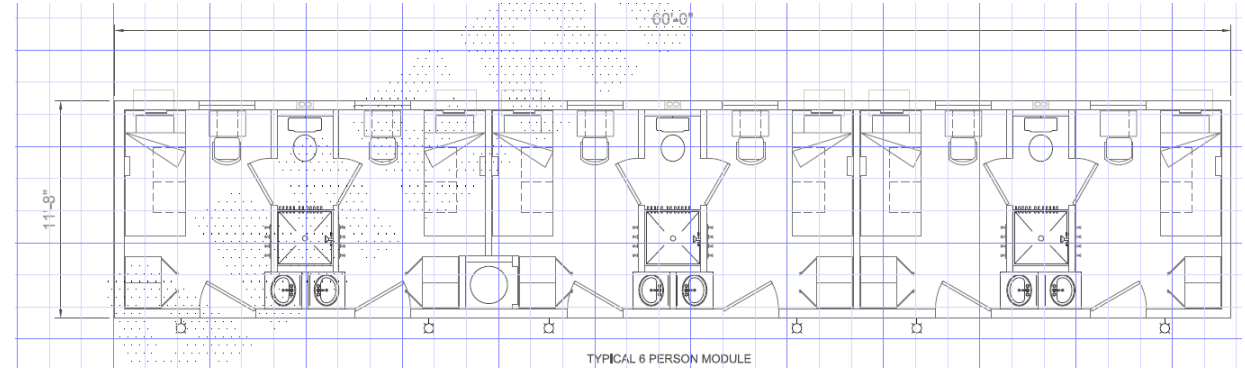
- Single Deluxe VIP**
 - F Hall
 - 8 beds (8 rooms)
 - 2 units

- 12 Person Living Quarters**
 - 24 beds

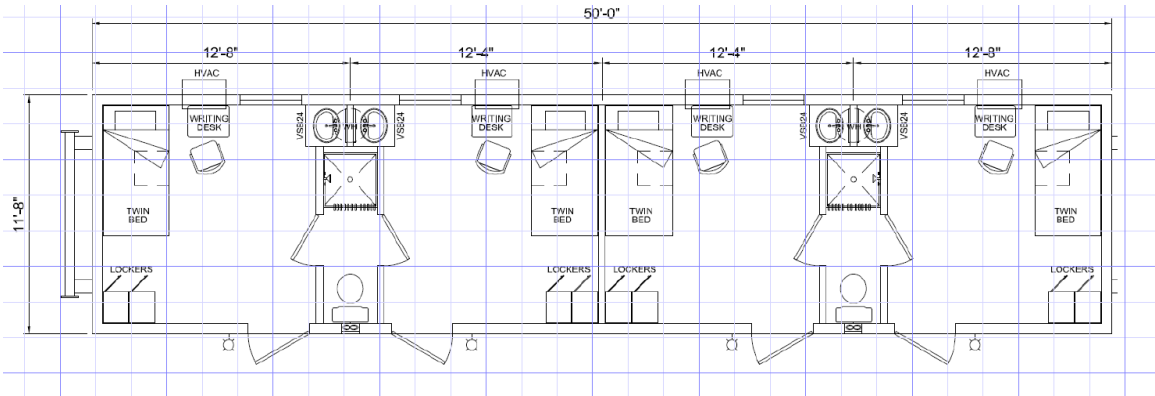
TOTAL BEDROOM COUNT = 328



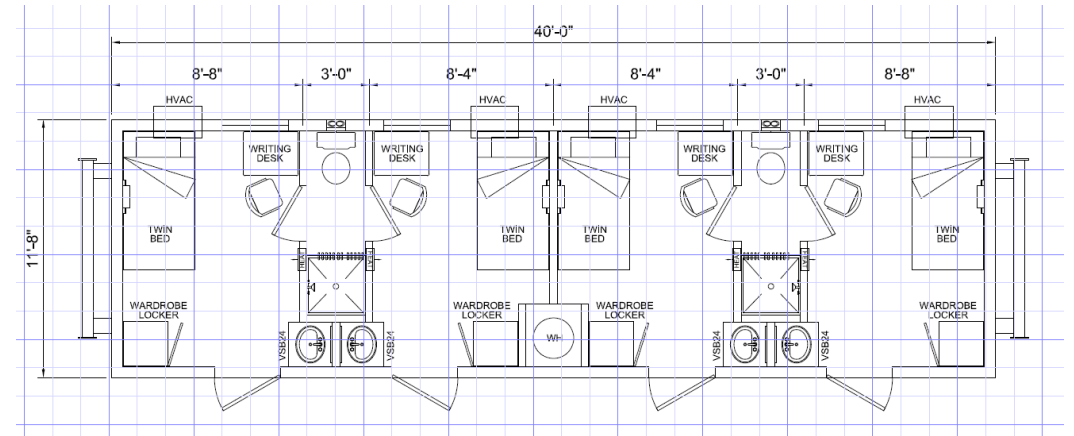
5 room sleeper 11'-8" x 54'-0"



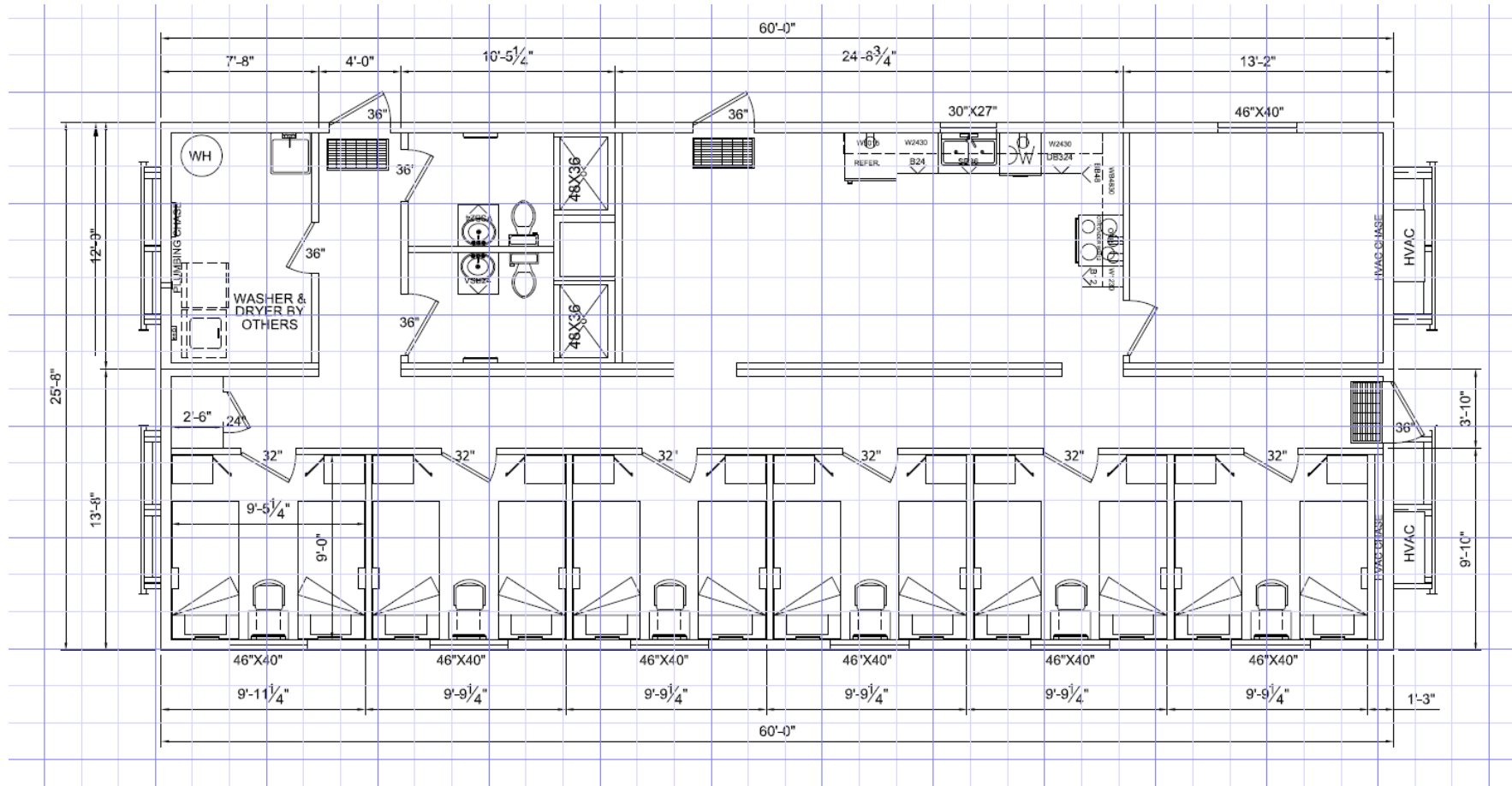
6 room sleeper 11'-8" x 60'-0"



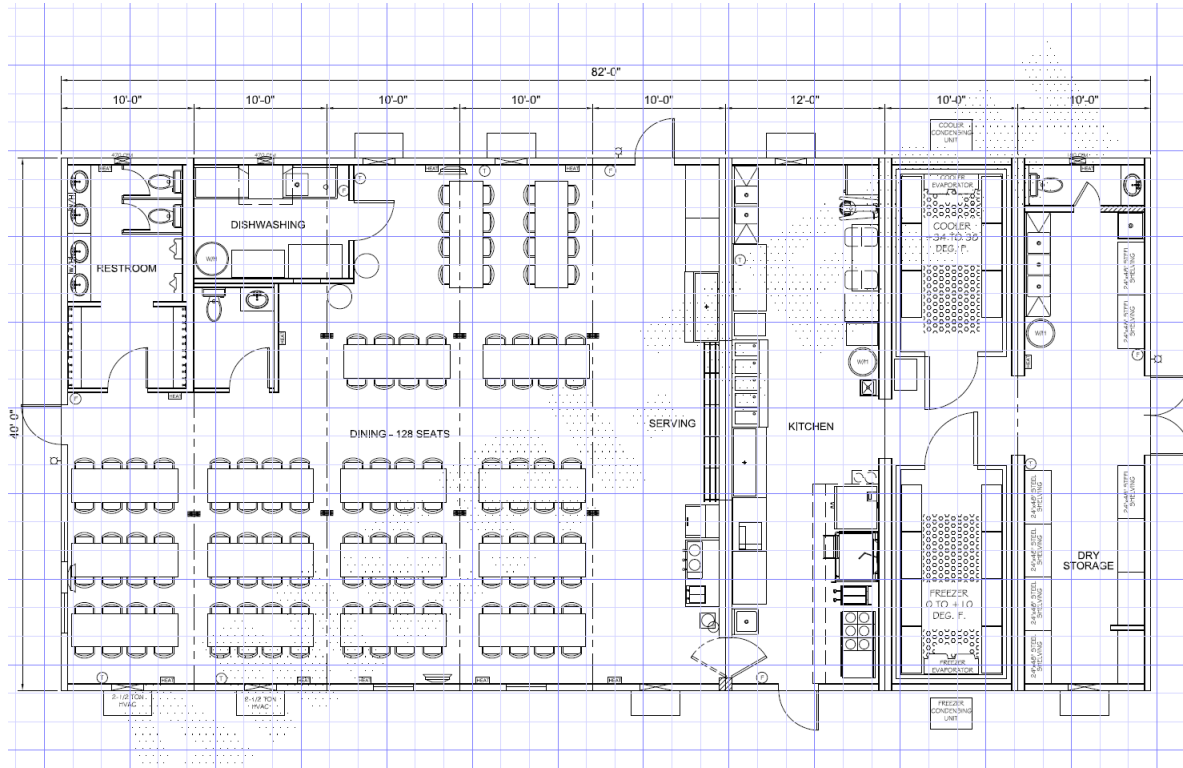
4 room sleeper 11'-8" x 50'-0"



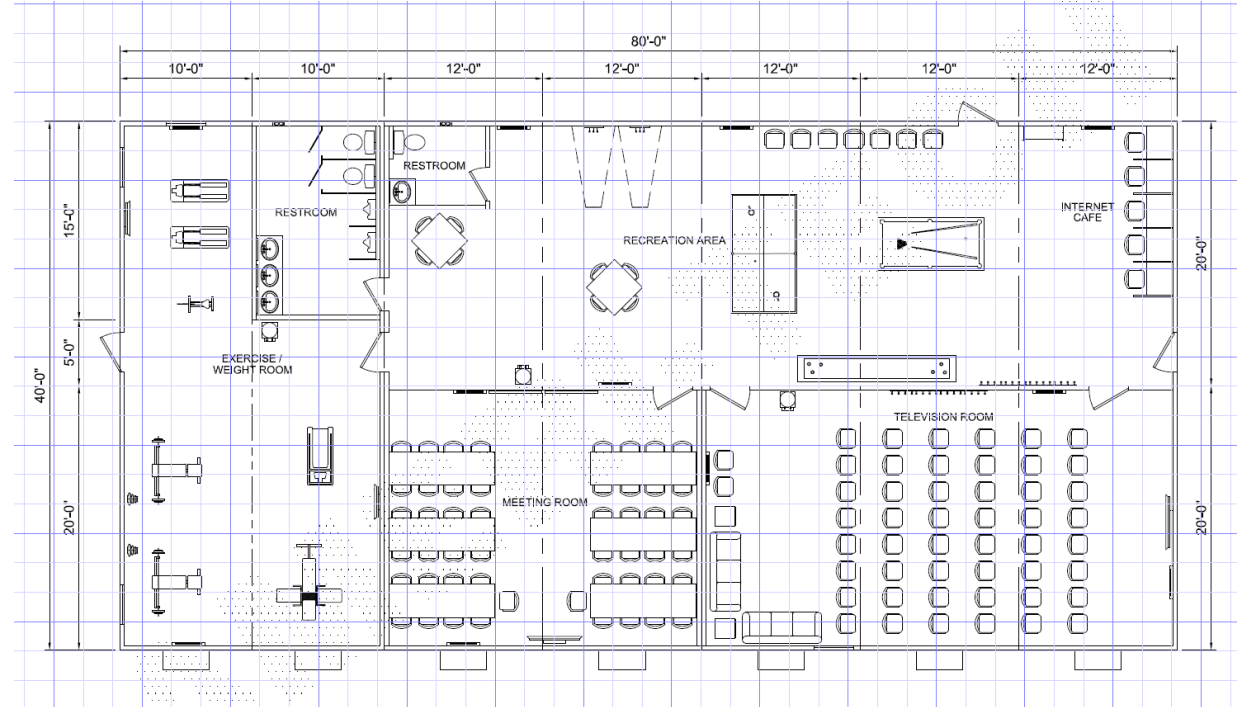
4 room sleeper 11'-8" x 40'-0"



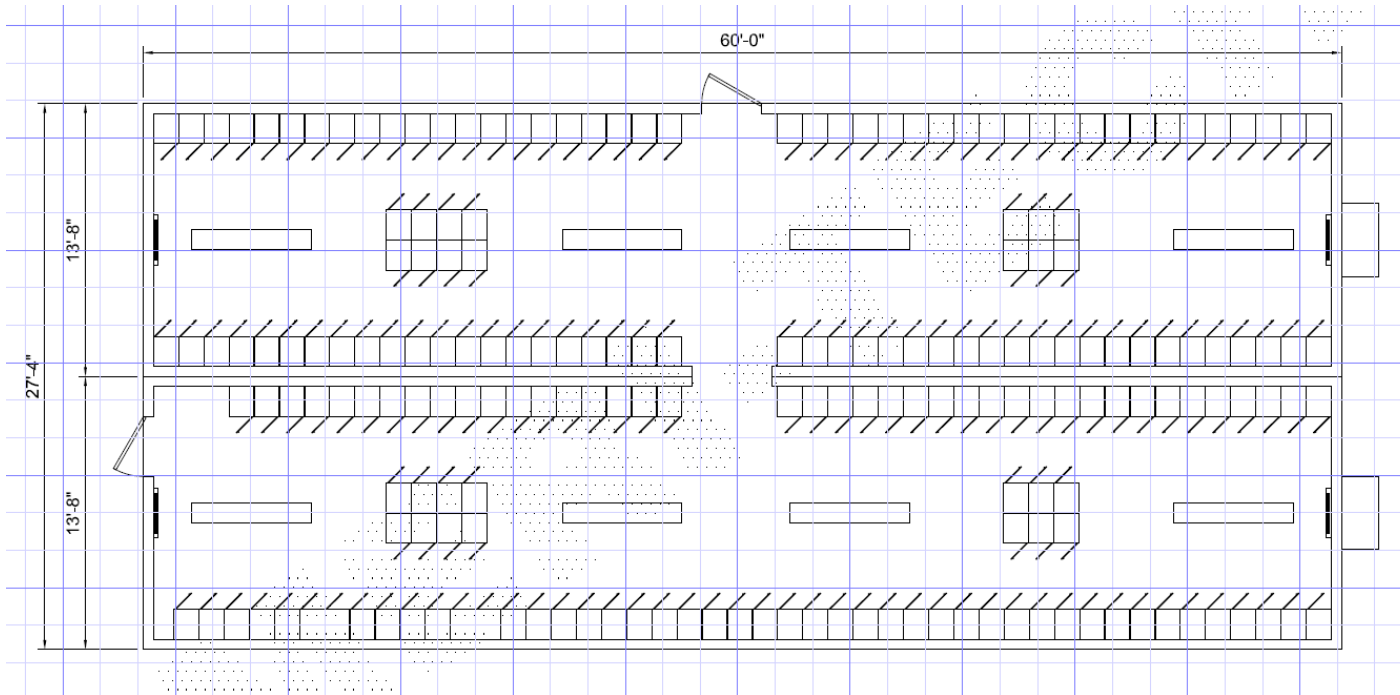
12 person living quarters



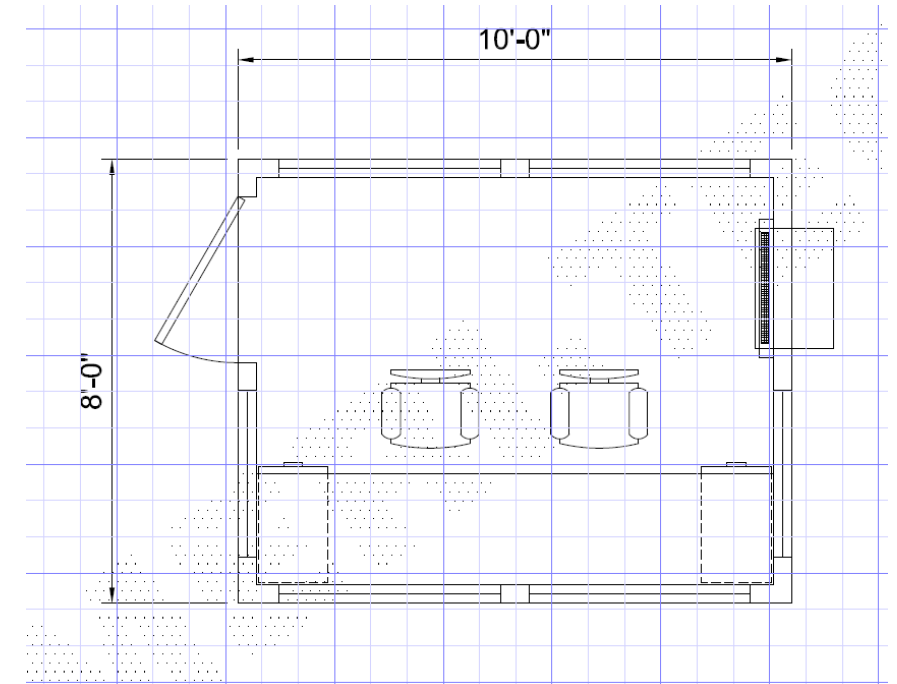
8 plex kitchen/dinning room 40' x 82'



7 plex recreation room w/gym 40' x 80'



2 plex mudroom/locker room 27'-4" x 60'



guard house 8' x 10'

